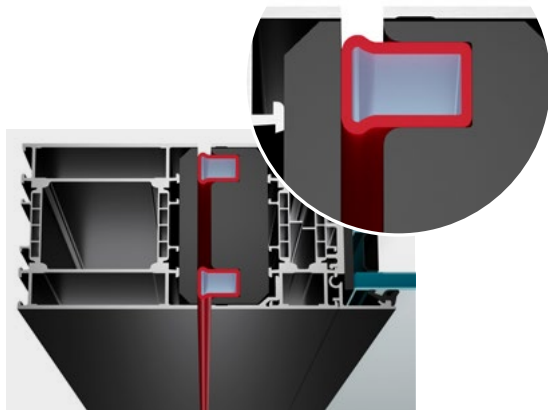


gnitovi9 doors

Fascinating solutions for foyers

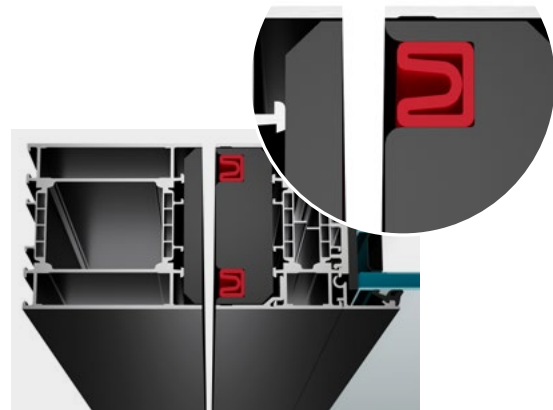
The pivoting door is an opening system with a central or lateral rotating axis that allows for very large door panels in glass and other materials. A fascinating alternative to conventional revolving doors for wide entrance spaces.

Sealing with air –
the air-lux sealing concept



Active

The seal presses against the frame profile and closes the gap between the door pane and the fixed frame to create a perfect seal.

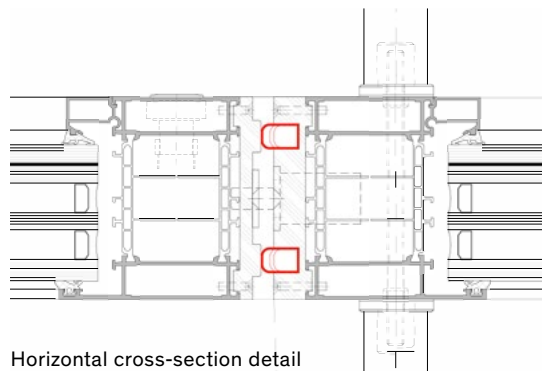


Inactive

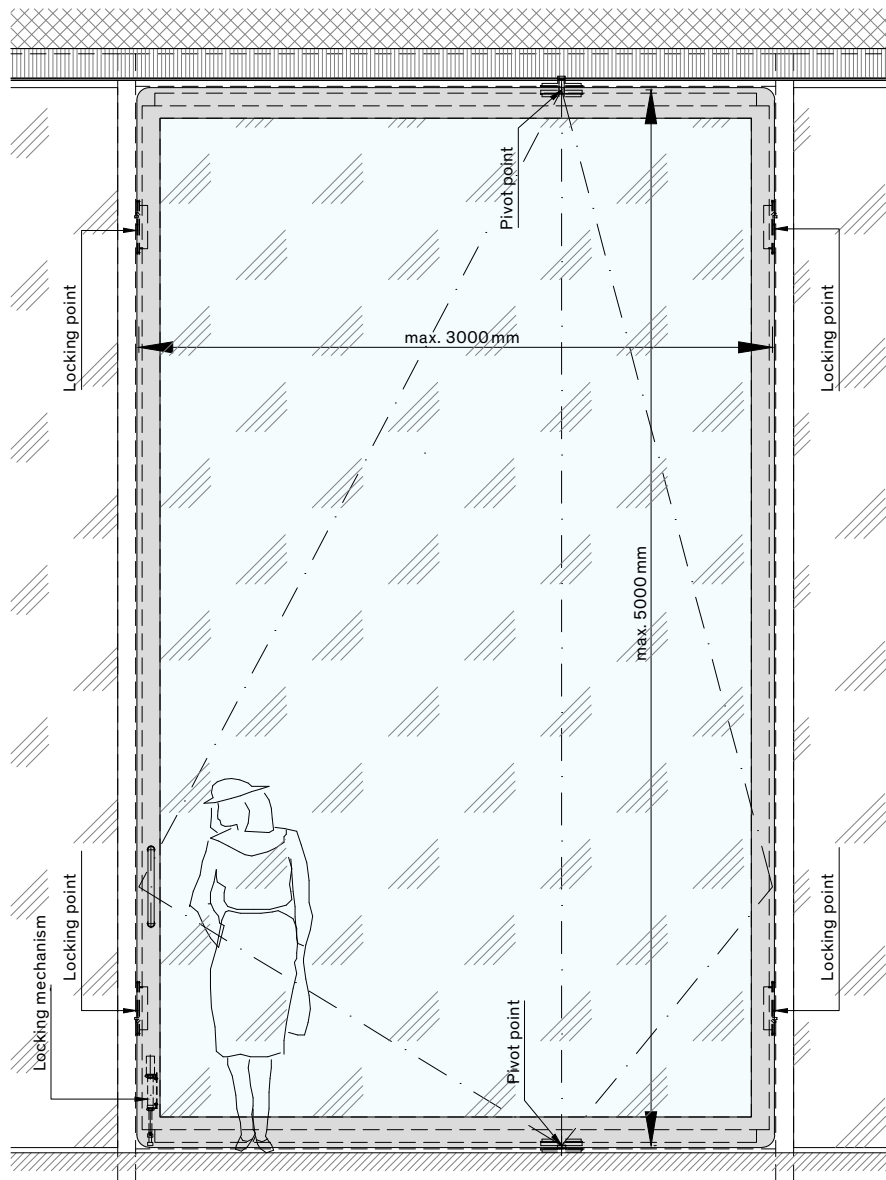
To open the unit, the button is pressed a second time. The air is released and the seal retracts to its original concave profile.

100% impermeability guaranteed

The way our pivoting doors open is new, but our unique pneumatic sealing system has not changed. As with the horizontal sliding units, 100% impermeability is guaranteed. This is provided by two continuous, inflatable ring seals that are fully integrated into the aluminum profiles – without any weak points in the corners and with none of the frictional resistance typical of conventional brush seals.



Horizontal cross-section detail



Door sizes up to 15 m²

Big is best – and this is also true for air-lux pivoting doors. The larger the pivoting door, the more impressive the effect when open. We recommend a maximum area of 15 m² (three metres wide, five metres high). But if you have other plans, just give us a call – we will certainly take on the challenge!

The maximum weight of an air-lux pivoting door is approximately 1500 kg and we can accommodate glass up to a maximum thickness of 60 mm. If required, we can manufacture your pivoting door with alarm glass or bullet-proof safety glass.

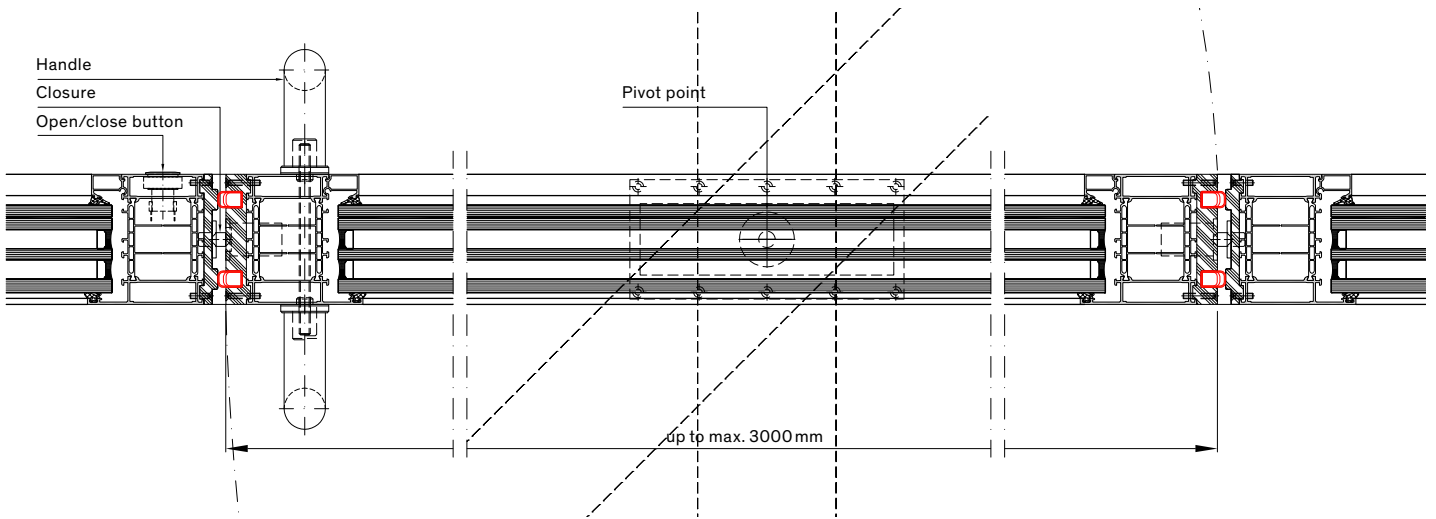
Wide range of materials

Whether glass, special wood, architectural bronze or stone, we design door panels in every material and surface finish. The core is always our high quality, thermally insulated aluminium profile clad with the required material.

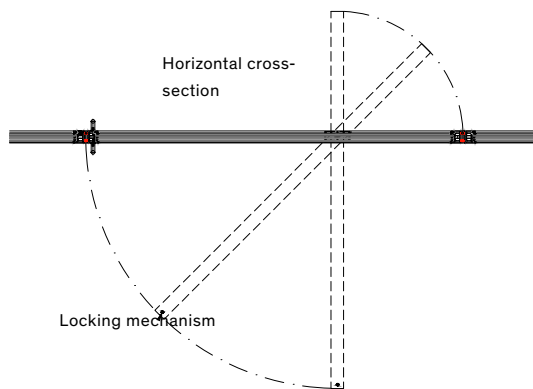
Safety – mechanical and electronic

air-lux pivoting doors have a total of four electromechanical locking points and two pivot points connected by ball bearings to the fixed component.

Electronic components to monitor the door's closing position and locking provide convenient control and monitoring of the pivoting door via the building services (alarm system, home automation system, etc.). This can also



Horizontal cross-section



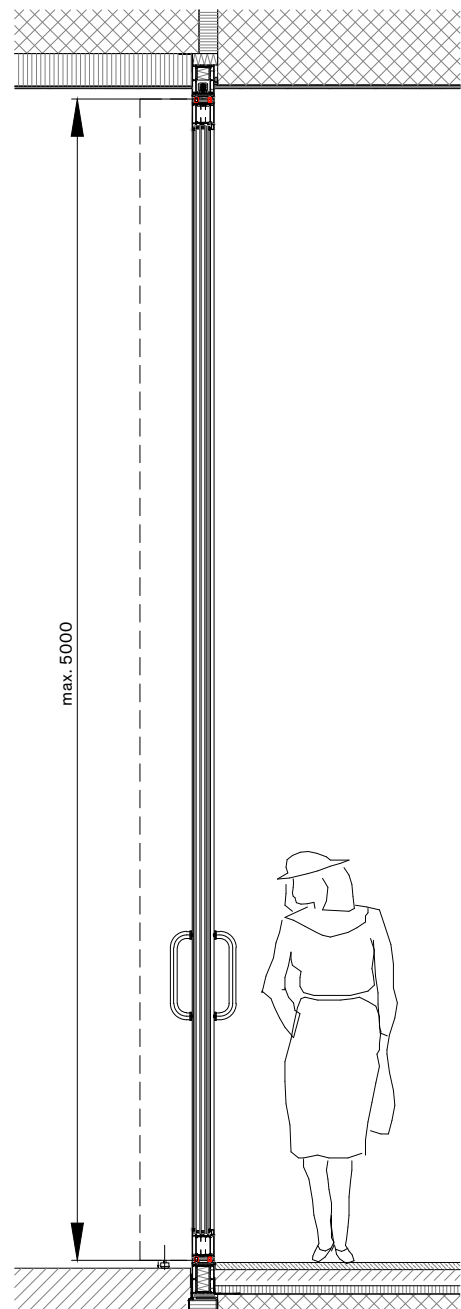
Floor plan

be managed with mobile devices, such as smart phones and tablets. Expert air-lux engineers ensure careful coordination with security officers and electrical system planners.

Operation

Inside, a push button is usually installed in the vertical frame profile. Outdoor operation can be through a key fob, fingerprint scanner or numeric code. When the button is pressed with the door closed, the two air seals deflate and the locking bolts retract. A door closure installed in the door profile provides silent, automatic closing.

When the button is pressed with the door open, the locking bolts close the element and simultaneously pump air into the seals, sealing the unit perfectly.



Vertical cross-section



Pivoting door when open



10 Year Guarantee

air-lux pivoting doors are manufactured from high-quality materials in Switzerland. The finishing on the robust yet elegant frames meets the highest quality standards. air-lux is therefore able to guarantee perfect operation and offer a 10 Year Guarantee on the seals, framework and fittings. Our service team also provides 24-hour support for air-lux customers.



Swiss
made

